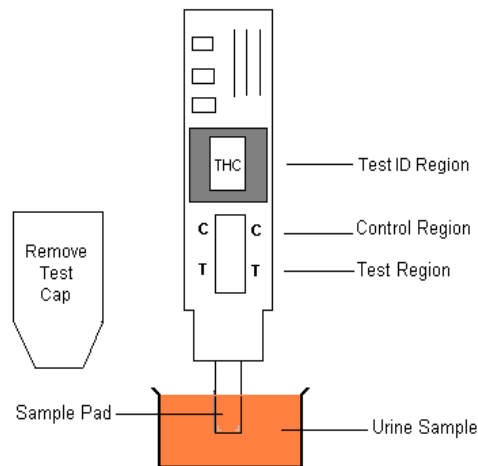


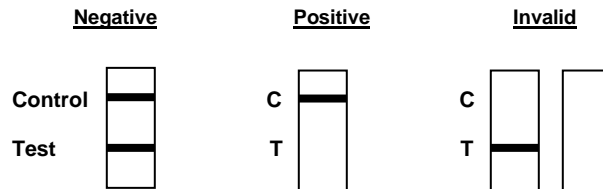
### Test Procedure

**IMPORTANT:** Test device, client sample (urine specimen), and controls should be brought to room temperature prior to testing. Do not open pouch until ready to perform the assay.

1. Remove the test device from the sealed pouch.
2. Remove cap from test device.
3. Dip the sample pad of the test device into the urine sample. **Do not introduce urine beyond the plastic on test device.** Remove test device from the urine after 10 - 15 seconds and lay device on a flat surface.
4. **Read result at 5 minutes after the addition of sample. Do not read result after 10 minutes.** If the test is left standing for longer than 8 minutes, the intensity of the colored lines may change.



### Interpretation of Results



\*Note: The above results are for illustration purposes only, see the explanations below for interpretation of results.

**Negative:** The appearance of the control line at the control region (C) and the appearance of a color line at a specific test region indicate that the test is negative for that drug. The color of the test line(s) may be slightly darker or lighter than the control line.

**Positive:** Only one colored line is observed in the viewing window at the control region (C). No line is observed for a specific drug indicates a positive test result for that particular drug.

**Invalid:** No line appears in the control (C) region. The test is inconclusive even if there is a line in the test region. If the test device does not produce a line at the control region, check testing procedures, samples, and/or control materials, and repeat the test.